

Snap Action Security Pushbutton, Single Pole

Features

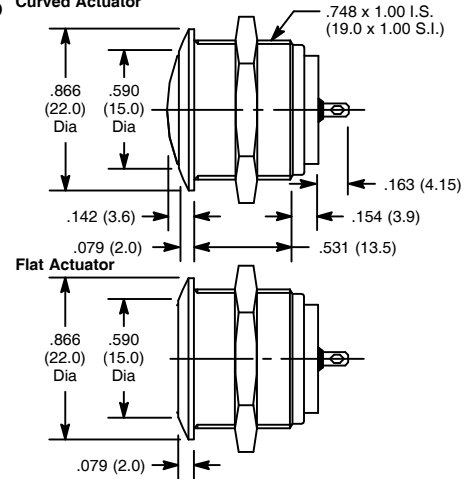
- .748" (19mm) bushing diameter



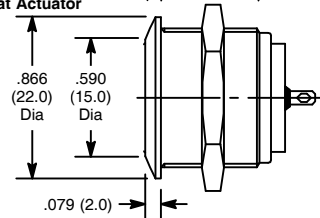
NTE Type No.	Circuitry	Action		Actuator	Diag No.
54-472	SPDT-NO	OFF	(ON)	Nickel Plated Brass, Curved	S85
54-473	SPDT-NO	OFF	(ON)	Nickel Plated Brass, Flat	S85

SPECIAL NOTE: () = Momentary Function

S85 Curved Actuator



Flat Actuator



Specifications

Contact Rating: 50mA 24VDC max. (Resistive Load)

Initial Contact Resistance: 100 Milliohms (max.)

Insulation Resistance: 1000 Megohms (min.) at 500VDC

Dielectric Strength: 500V RMS (min.)

Temperature Rating: -22°F to +158°F (-30°C to +70°C)

Electrical Life: 1,000,000 cycles at full load

Mechanical Life: 100,000 cycles at 300mA 24V

Operating Force: 7 N ±2 N

Terminal Type: Solder lug

Mounting Hole: .756 (19.2)